

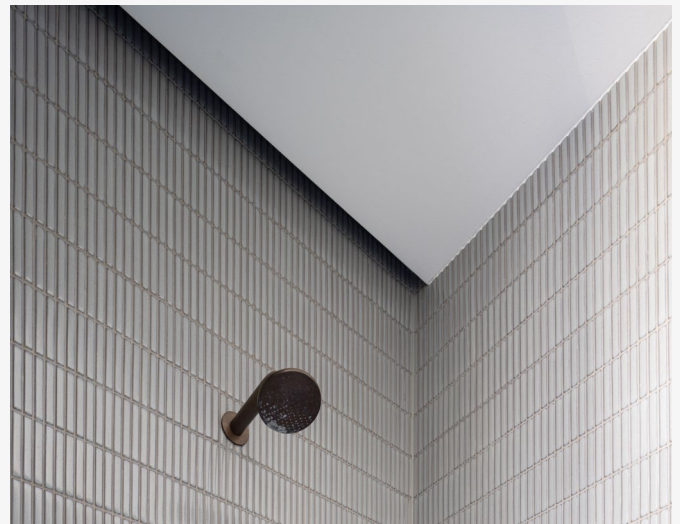
# Shadowline Diffuser

expella™

## Concealed ceiling grille

1SLD1200A

An internal ceiling grille that allows air to be channelled through the ventilation system. This product is designed to be discreet – almost invisible, sitting in the shadow line of a ceiling or at the wall / ceiling junction.



### Manufacturer:

expella™

### Warranty:

5 years

### Features and Benefits:

- The product has a modular design so that the unit can be extended to any length to suit any wall size
- Maintains the aesthetic quality of modern interior design by being almost invisible – sitting at the junction of a wall and ceiling
- Easy to install, no maintenance

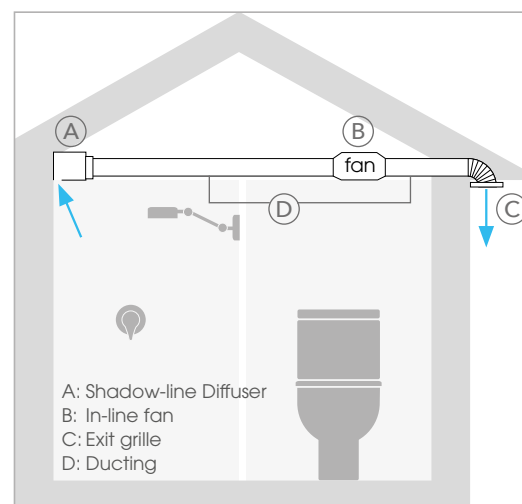
### Materials:

Galvanised sheet metal with powdercoat finish

Australian Design No 202014240

### Applications and Installation:

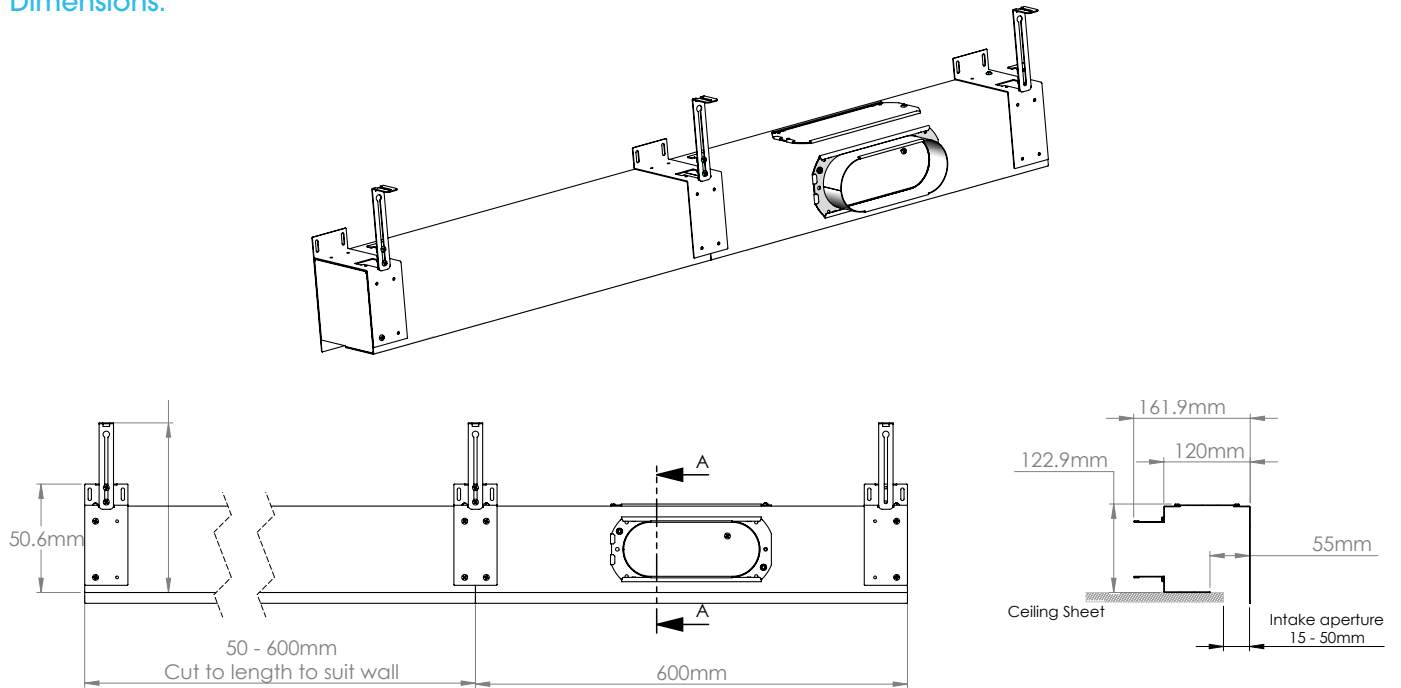
- To be used in conjunction with an inline fan such as the EMF150 (recommended) and ducting.
- Suitable for interior applications including:
  - Bathrooms
  - Laundries
  - General kitchen ventilation
- Can be installed by a home handyman or industry professional (electrician or air-conditioning installer)



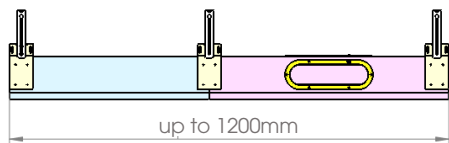
# Shadowline Diffuser

## Concealed ceiling grille

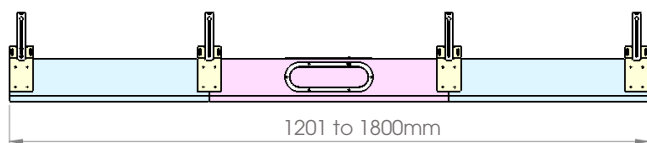
### Dimensions:



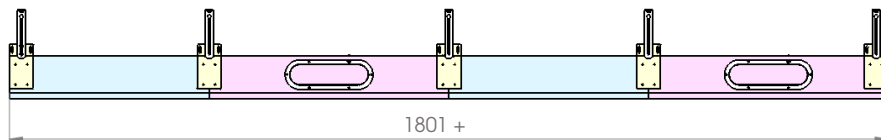
### MULTIPLE DIFFUSERS CAN BE JOINED TO ACHIEVE CUSTOM LENGTHS



Requires: 1 x SLD Shadow-line Diffuser



Requires: 2 x SLD Shadow-line Diffusers



Requires: 2 x SLD and 1 x Duct Y Piece to connect spigots to the fan

Required length of diffuser	Product quantity required	Number of spigots	Duct Y pieces required to join spigots to fan
600 - 1200 mm	1	1	0
1201 - 1800 mm	2	1	0
1801 - 2400 mm	2	2	1
2401 - 3000 mm	3	2	1
3001 - 3400mm	3	3	2