



AXIAL FAN
Users manual



CHICO

fanco ●

CONTENTS

Delivery set	8
Brief description.....	8
Operation guidelines	8
Mounting and set-up.....	9
Electronics operation algorithm	12
Troubleshooting	14
Storage and transportation regulations.....	14
Fanco manufacturer warranty - warranty against defects.....	15
Maintenance	16

This user's manual is a main operating document intended for technical, maintenance, and operating staff.

The manual contains information about purpose, technical details, operating principle, design, and installation of the CHICO unit and all its modifications.

This exhaust fan **MUST** be installed by a Qualified Electrical Contractor in accordance with the local regulations, and all local, state and national electrical codes. Any alterations or additions to building wiring must be completed by a licensed electrical contractor, or person authorised by legislation to work on the fixed wiring of any electrical installation

PLEASE READ THE USER'S MANUAL CAREFULLY PRIOR TO INSTALLING, CONNECTION TO POWER MAINS AND OPERATING THE UNIT.



THE MANUFACTURING COMPANY SHALL NOT BE RESPONSIBLE FOR DAMAGE TO HEALTH AND PROPERTY OF THE CUSTOMER CAUSED BY THE CUSTOMER'S VIOLATING THE USER'S MANUAL. FOLLOW THE USER'S MANUAL REQUIREMENTS TO ENSURE DURABLE OPERATION OF THE UNIT, ITS MECHANICAL AND ELECTRICAL RELIABILITY.

KEEP THIS USER'S MANUAL.



FOLLOW THE USER'S MANUAL REQUIREMENTS TO ENSURE DURABLE AND TROUBLE-FREE OPERATION OF THE UNIT

This unit is not intended for use by persons (including children) with reduced physical, sensory or mental capabilities, or lack of experience and knowledge, unless they have been given supervision or instruction concerning use of the unit by a person responsible for their safety.

Children should be supervised to ensure that they do not play with the unit.

This appliance can be used by children aged from 8 years and above and persons with reduced physical, sensory or mental capabilities or lack of experience and knowledge if they have been given supervision or instruction concerning use of the appliance in a safe way and understand the hazards involved.

Cleaning and user maintenance shall not be done by children without supervision.

Children shall not play with the appliance.

Connection to the mains must be made through a disconnecting device, which is integrated into the fixed wiring system in accordance with the wiring rules for design of electrical units, and has a contact separation in all poles that allows for full disconnection under overvoltage category III conditions.

Ensure that the unit is switched off from the supply mains before removing the guard.

CAUTION! The unit must be installed at a distance of at least 2.1 m from the floor.

Precautions must be taken to avoid the back-flow of gases into the room from the open flue of gas or other fuel-burning appliances.

The appliance may adversely affect the safe operation of appliances burning gas or other fuels (including those in other rooms) due to back flow of combustion gases. These gases can potentially result in carbon monoxide poisoning. After installation of the unit the operation of flued gas appliances should be tested by a competent person to ensure that back flow of combustion gases does not occur.

The recommended installation height for the Chico 100, 125 and 150 mm, is 2.1 meters or higher from the floor.

All operations described in this manual must be performed by qualified personnel only, properly trained and qualified to install, make electrical connections and maintain ventilation units.

Do not attempt to install the product, connect it to the mains, or perform maintenance yourself. This is unsafe and impossible without special knowledge.

Disconnect the power supply prior to any operations with the unit.

All user's manual requirements as well as the provisions of all the applicable local and national construction, electrical, and technical norms and standards must be observed when installing and operating the unit.

Disconnect the unit from the power supply prior to any connection, servicing, maintenance, and repair operations.

Check the unit for any visible damage of the impeller, the casing, and the grille before starting installation. The casing internals must be free of any foreign objects that can damage the impeller blades.

While mounting the unit, avoid compression of the casing! Deformation of the casing may result in motor jam and excessive noise.

Misuse of the unit and any unauthorised modifications are not allowed. Do not expose the unit to adverse atmospheric agents (rain, sun, etc.). Transported air must not contain any dust or other solid impurities, sticky substances, or fibrous materials.

Do not use the unit in a hazardous or explosive environment containing spirits, gasoline, insecticides, etc.

Do not close or block the intake or extract vents in order to ensure the

efficient air flow.

Do not sit on the unit and do not put objects on it.

The information in this user's manual was correct at the time of the document's preparation.

The Company reserves the right to modify the technical characteristics, design, or configuration of its products at any time in order to incorporate the latest technological developments.

Never touch the unit with wet or damp hands.

Never touch the unit when barefoot.

BEFORE INSTALLING ADDITIONAL EXTERNAL DEVICES, READ THE RELEVANT USER MANUALS.



THE PRODUCT MUST BE DISPOSED SEPARATELY AT THE END OF ITS SERVICE LIFE.
DO NOT DISPOSE THE UNIT AS UNSORTED DOMESTIC WASTE.

DELIVERY SET

Fan	- 1 pc.
Plastic screwdriver	- 1 pc. (only for models with a timer)
User's manual	- 1 pc.
Packing box	- 1 pc.

BRIEF DESCRIPTION

The product is an axial fan for exhaust ventilation of small and medium-sized premises.

The fan is designed for wall or ceiling mounting.

The fan is rated for continuous operation.

The fan design is regularly improved, so some models may slightly differ from those ones described herein.

OPERATION GUIDELINES

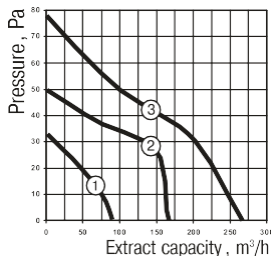
The fan is connected to 220...240 V, 50 Hz single-phase AC mains depending on the model and is designed for continuous operation without disconnection from power mains.

Hazardous parts access and water ingress protection rating IP34.

The fan is rated for operation at ambient temperatures ranging from +1 °C to +40 °C.

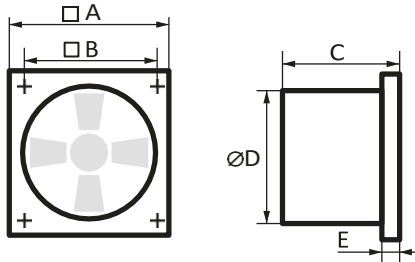
The unit is rated as a Class II electrical appliance.

Performance



- ① CHICO 100
- ② CHICO 125
- ③ CHICO 150

MOUNTING AND SET-UP

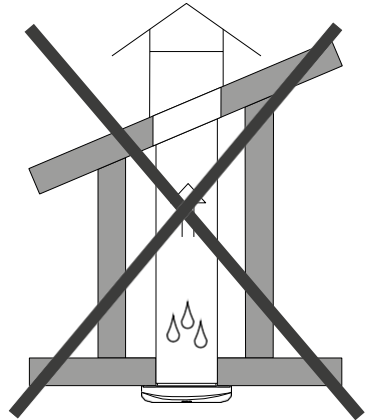
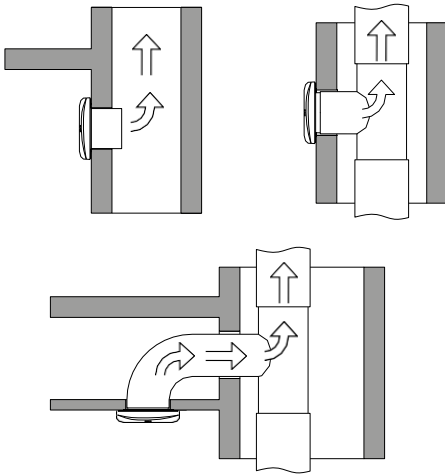


Model	A	B	C	D	E	Capacity, m ³ /hr	Noise, DBA, 3m
CHICO 100	152	120	126	100	30	88	33
CHICO 125	177	140	135	125	34	167	34
CHICO 150	206	165	154	150	36	265	37

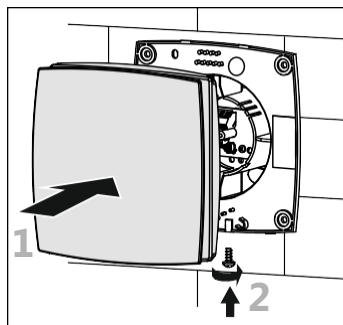
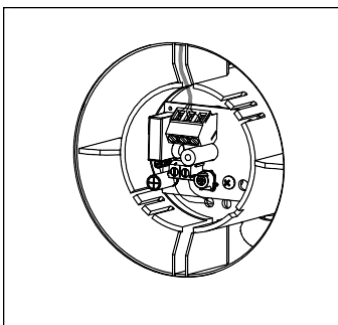
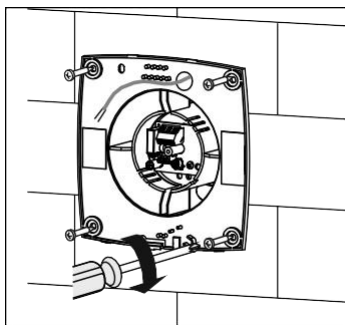
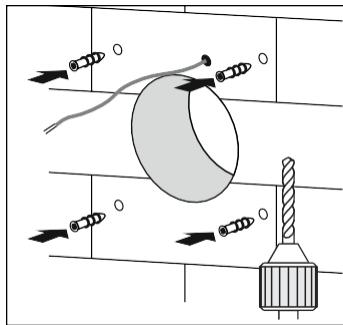
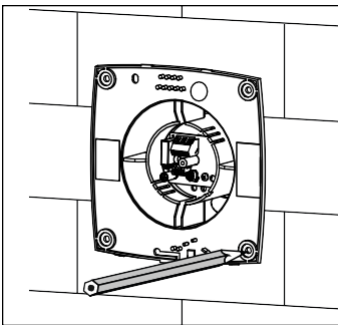
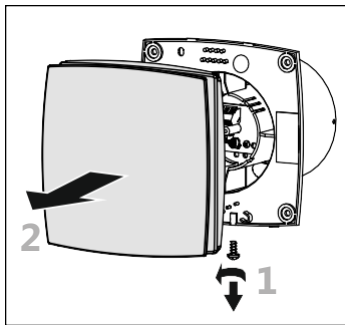
For fans with a non-return valve option, the overall length of the outlet pipe increases by 14 mm.

The fan shown in the figures may slightly differ from your model, while the installation sequence is maintained.

The fan is designed for wall or ceiling mounting with direct air exhaust to the ventilation shaft or into the round air duct of matching diameter.



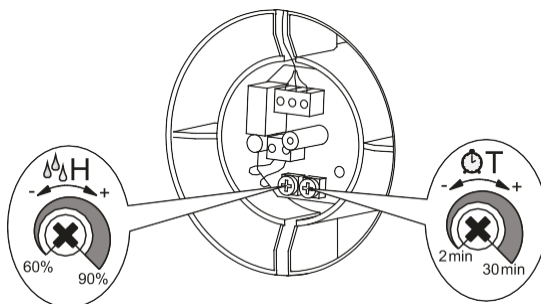
The fan mounting sequence is shown in figures.



ELECTRONICS OPERATION ALGORITHM

The fan with the timer and the humidity sensor TH - the fan starts after the control voltage is supplied to the input LT or if indoor humidity level H exceeds the set point adjustable from -60 % to -90 %.

After the control voltage is off or the humidity level has decreased, the fan will keep running within the time set by the timer ranging from 2 to 30 minutes.

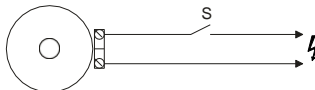
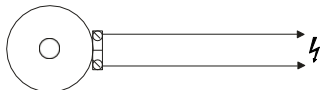


THE TIMER BOARD IS UNDER MAINS VOLTAGE.
MAKE SURE THE FAN IS COMPLETELY DISCONNECTED FROM THE POWER MAINS BEFORE
ADJUSTING

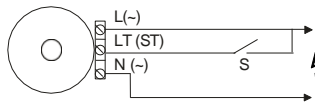
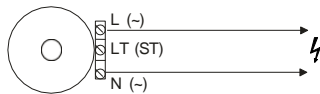


DO NOT USE A METAL SCREWDRIVER, KNIFE, ETC. FOR ADJUSTMENT
OPERATIONS NOT TO DAMAGE THE CIRCUIT BOARD

Wiring diagram for a fan CHICO.



Wiring diagram for a fan CHICO 150 TH equipped with a humidity sensor.



Terminal designations on wiring diagrams:

L - line

N - neutral

S - external switch

LT - timer control line

TROUBLESHOOTING

Problem	Possible reasons	Troubleshooting
When the unit is connected to power mains, the fan does not rotate and does not respond to any controls.	No power supply.	Make sure the power supply line is connected correctly, otherwise troubleshoot the connection error.
	Internal connection fault.	Contact the Seller.
Low air flow.	The ventilation system is clogged.	Clean the ventilation system.
Increased noise, vibration.	The impeller is clogged.	Clean the impeller.
	The fan is not secured well or is not mounted properly.	Troubleshoot the installation error.
	The ventilation system is clogged.	Clean the ventilation system.

STORAGE AND TRANSPORTATION REGULATIONS

- Store the unit in the manufacturer's original packaging box in a dry closed ventilated premise with temperature range from +5 °C to +40 °C and relative humidity up to 70 %.
- Storage environment must not contain aggressive vapors and chemical mixtures provoking corrosion, insulation, and sealing deformation.
- Use suitable hoist machinery for handling and storage operations to prevent possible damage to the unit.
- Follow the handling requirements applicable for the particular type of cargo.
- The unit can be carried in the original packaging by any mode of transport provided proper protection against precipitation and mechanical damage. The unit must be transported only in the working position.
- Avoid sharp blows, scratches, or rough handling during loading and unloading.
- Prior to the initial power-up after transportation at low temperatures, allow the unit to warm up at operating temperature for at least 3-4 hours.

FANCO MANUFACTURER WARRANTY - WARRANTY AGAINST DEFECTS

Fanco warrants this product against defects in manufacture and workmanship for a period of 2 years from date of purchase when installed for residential use. When installed in a commercial or other non-domestic application, Fanco warrants this product for a period of 3 months from date of purchase.

This warranty is only valid for products installed by a qualified electrical contractor and operated within the guidelines specified by Fanco, and within the correct operating voltage ranges as stated on the product's rating label. Warranty does not include damage or loss arising from incorrect installation, operation or maintenance of this product, damage caused through modification, service by unqualified or unauthorised personnel or lack of regular maintenance and cleaning. Proof of installation by qualified personnel may be required, e.g. Electrical Safety Certificate. Proof of purchase must be supplied with all warranty claims. This warranty is provided in addition to any other rights and remedies of the customer under any law. Fanco does not warrant the costs of removal or re-installation of this product or associated components.

Our goods come with guarantees that cannot be excluded under the Australian Consumer Law. You are entitled to a replacement or refund for a major failure and compensation for any other reasonably foreseeable loss or damage. You are also entitled to have the goods repaired or replaced if goods fail to be of acceptable quality and the failure does not amount to a major failure.

Any claim under this warranty must be made within 2 years of the date of purchase of the product from invoice date. To make a claim under the warranty; at your own expense take the product (with proof of purchase - receipt or similar) to the store where you purchased the product or contact Fanco at the address below:

Fanco Australia

Authorised National Distributor: Universal Fans Australia Pty Ltd

ABN: 76 104 243 898

Address: 18 Cleeland Road, South Oakleigh, VIC, 3167 Phone number: 03 8658 9588

Email: service@fanco.au

Code	Model Number	Rated Voltage	Motor Consumption
100LD K	Chico 100	220-240 Vac	14 Watt
125LD K	Chico 125	220-240 Vac	16 Watt
150LD K	Chico 150	220-240 Vac	24 Watt
150LD TH K	Chico 150 TH	220-240 Vac	24 Watt



FOLLOWING THE REGULATIONS STIPULATED HEREIN WILL ENSURE A LONG AND TROUBLE-FREE OPERATION OF THE UNIT

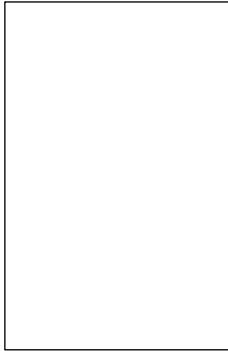


USER'S WARRANTY CLAIMS SHALL BE SUBJECT TO REVIEW ONLY UPON PRESENTATION OF THE UNIT, THE PAYMENT DOCUMENT AND THE USER'S MANUAL WITH THE PURCHASE DATE STAMP

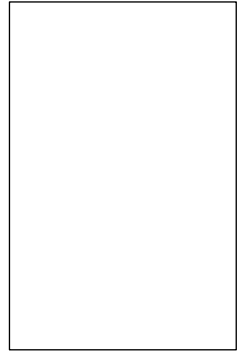
MAINTENANCE

Disconnect the fan from power supply prior to maintenance and servicing operations. The fan surfaces must be regularly cleaned from dirt and dust. To clean the fan, use a soft cloth or a brush wetted in a mild detergent solution. Do not allow water or liquid come into contact with electric components. Wipe the surfaces dry after cleaning.

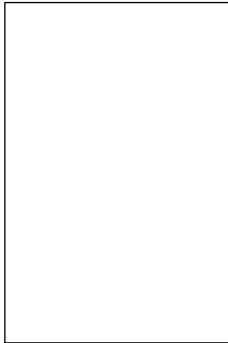
Quality Inspector's Stamp



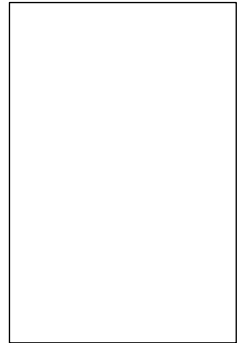
Sold by
(name and stamp of the seller)



Manufacture Date



Purchase Date



Certificate of acceptance

CHICO _____

The fan is recognized as serviceable.

Fanco01EN_16LD-01