



Heatforce DC Boost

PREMIUM 3 IN 1 BATHROOM HEATER

- DC energy efficient motor
- Mould reduction technology: Selectable 24/7 continuous, 10-min timer or standard
- Thermal safety switch
- Modern low-profile fascia with Tri-colour LED
- Instant radiant heat
- 150mm side ducted exhaust fan
- Minimum install depth: 220mm
- Energy saving back draft stopper



Ultra efficient 3 in 1 featuring **24/7 continuous and timed mould reduction technology** for a drier bathroom and a healthier home

Heatforce DC Boost



PREMIUM 3 IN 1 BATHROOM HEATER

Energy efficient bathroom unit with heater, light and exhaust fan.
Featuring 24/7 continuous and timed Mould Reduction Technology.



EXHAUST	24/7	Standard
Motor Type:	DC	DC
Rated Voltage:	220-240V~50Hz	220-240V~50Hz
Air Delivery:	80 m ³ H	403 m ³ H
Motor Power:	2.5 watts	50 watts
Speed:	500 rpm	2000 rpm
Noise Level:	28 dB(A)	47 dB(A)

LIGHT	
Light Type:	10 watt, Tri-Colour LED, 853 lumens (AVG)
Light Colour:	3000K (WW), 4000K (NW), 5000K (CW)

HEAT	
Heat Type:	4 x 275 watt Heat Globes
Safety Switch:	Yes

INSTALLATION

Cut Out Size:	320 x 320mm
Fascia Size:	395 x 395mm
Min Install Depth:	220mm
IP Rating:	IPX4
Installation:	Qualified Electrician Needed
Total Rated Power:	1160 watts

INCLUDES

- 1 x Bathroom Unit
- 4 x 275 watt Heat Globes
- 1 x 10 watt Tri-colour LED downlight
- 1 x Four Switch Wall Plate
- 1 x Flexible Duct (150mm x 2m)
- 1 x Duct Spigot
- 1 x External Grille
- 1 x Cutout Template
- 1 x Instruction Manual
- 1 x Warranty Card

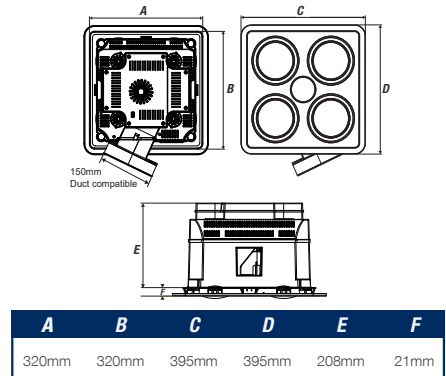
SHIPPING

Packaging Size:	500 x 426 x 292mm
Gross Weight:	6.65kg
Carton Size:	520 x 441 x 609mm
Carton Weight:	14.8kg
Carton Qty:	2
Pallet Qty:	24 Pieces

AVAILABLE EXTRAS

HEA275	275 watt Heat Globe
V31RFR	Bathroom Remote
VUBHR	Universal Bathroom Remote

DIMENSIONS



Model	Colour	Outer Carton	EAN13 Barcode
HEA4W-B	White	19339310015038	9 339310 015031



4 Capital Place, Carrum Downs,
VIC, 3201, Australia

T: +61 3 9775 0556

E: sales@ventair.com.au

www.ventair.com.au | f i n p