

# Wall Control

DC

## Installation Manual

For No Light Versions ONLY

fanco 

# FANCO DC WALL CONTROL INSTRUCTION GUIDE

Please read all instructions carefully before assembly and use.

## IMPORTANT SAFEGUARDS:

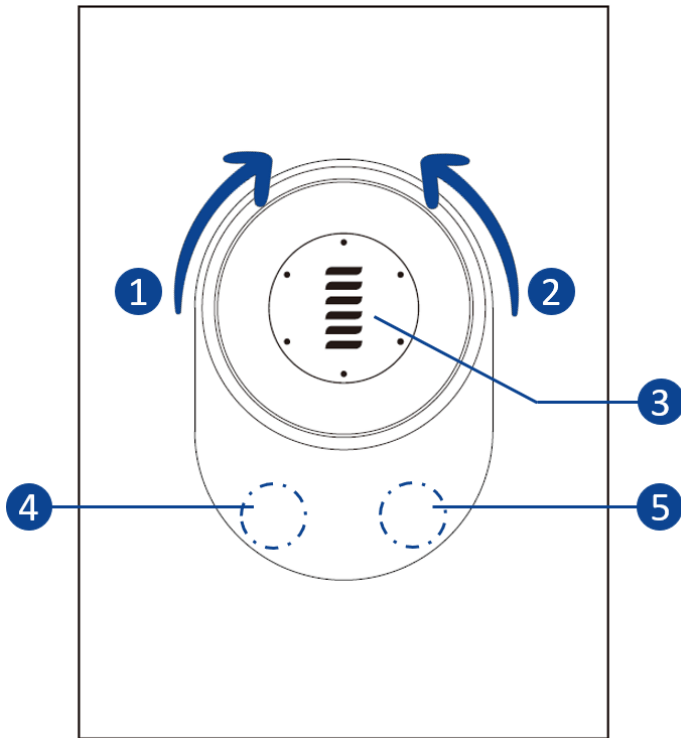
1. This controller is suited to **NO LIGHT** select Fanco fans only.
2. All wiring must be done by a licenced electrician as on-site warranty may be voided if proof cannot be provided. This ceiling fan **MUST** be installed by a Qualified Electrical Contractor in accordance with the local regulations, and all local, state and national electrical codes. Any alterations or additions to building wiring must be completed by a licensed electrical contractor, or person authorised by legislation to work on the fixed wiring of any electrical installation.
3. The DC Wall Control and Fan, must be connected to a 240V AC 50Hz power supply.
4. All electrical work must only be undertaken after disconnection of the power by removing fuses or turning off the circuit breaker, to ensure all pole isolation of the electrical supply.
5. The DC Wall Control must be earthed.
6. This appliance is not intended for use by young children or infirm persons without supervision. Young children should be supervised to ensure that they **DO NOT** play with the appliance.
7. An all-pole disconnection incorporated in the fixed wiring is to be provided, such as an all-pole switch or a supply cord fitted with a plug.
8. The remote/receiver included is intended to be used with this fan and is not compatible with any other lighting and/or any other electrical device. Use of it in any way other than intended may result in damage to the fan, receiver and/or other devices and as such, will void warranty.
9. Reasonable 'wear and tear' is not covered under warranty. For comprehensive warranty terms & conditions visit [fanco.com.au](http://fanco.com.au)

## IMPORTANT NOTE:

The important safeguards and instructions given in this manual are not meant to cover all possible conditions and situations that may occur. It must be understood that common sense, caution and care are factors which cannot be built into any product.

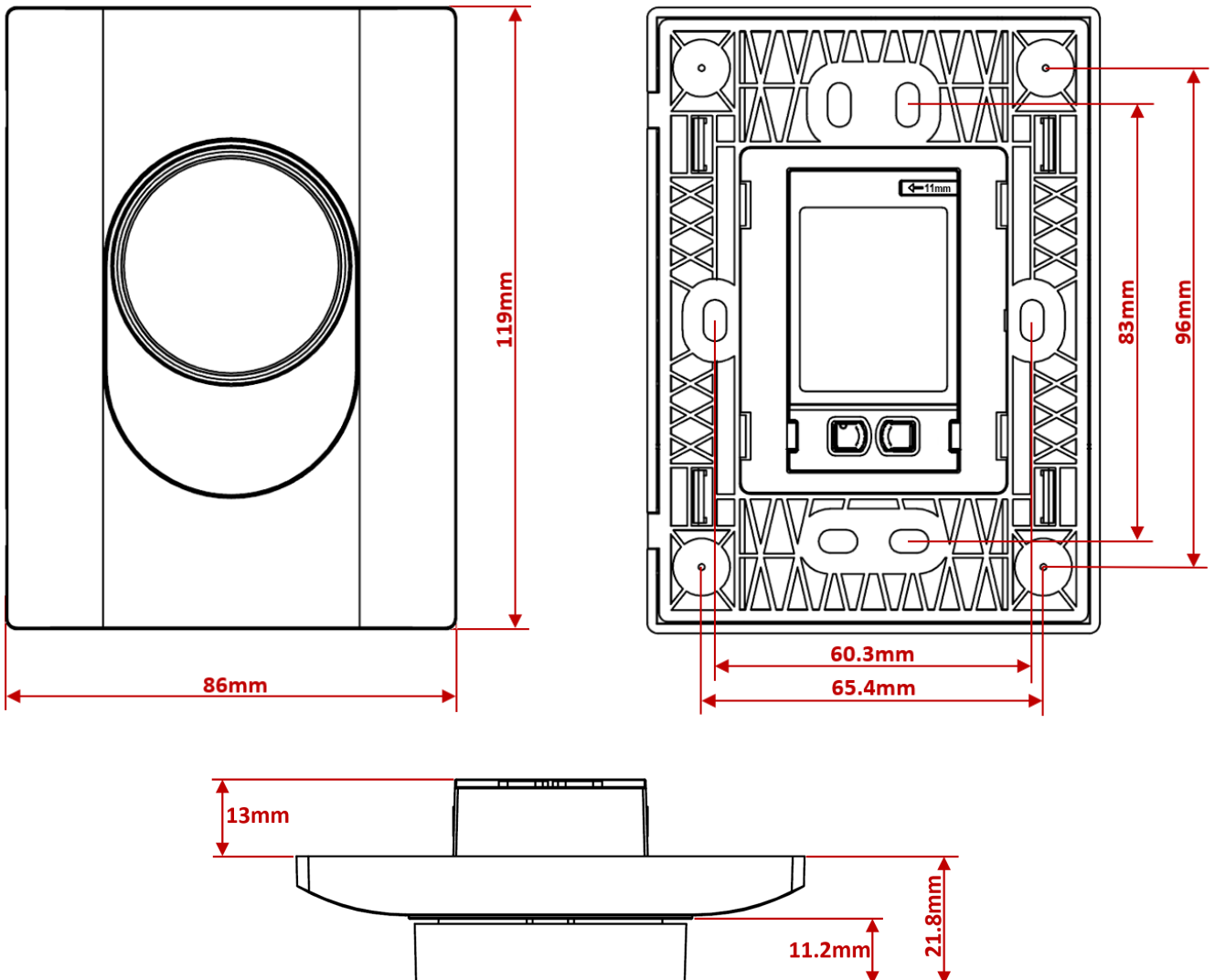
**REFER TO MAIN MANUAL FOR WIRING DIAGRAM**

## FUNCTIONS OF THE WALL CONTROL



- 1 Fan Speed Higher/ON**  
Toggle the dial to the right (clockwise), to turn the fan ON and to increase the fan speed
- 2 Fan Speed Lower/OFF**  
Toggle the dial to the left (anti-clockwise), to lower the fan speed. Keep toggling left To turn the fan OFF
- 3 Fan Speed Indicator**  
Blank = FAN OFF  
1 Bar = Speed 1  
3 Bar = Speed 3  
4 Bar = Speed 4  
5 Bar = Speed 5  
6 Bar = Speed 6
- 4 Fan ON/OFF**
- 5 Forward/Reverse Mode**  
Hold for 3 seconds to change.  
Forward (anti-clockwise) = Summer  
Reverse (clockwise) = Winter

## DIMENSIONS OF THE WALL CONTROL



**fanco** ●